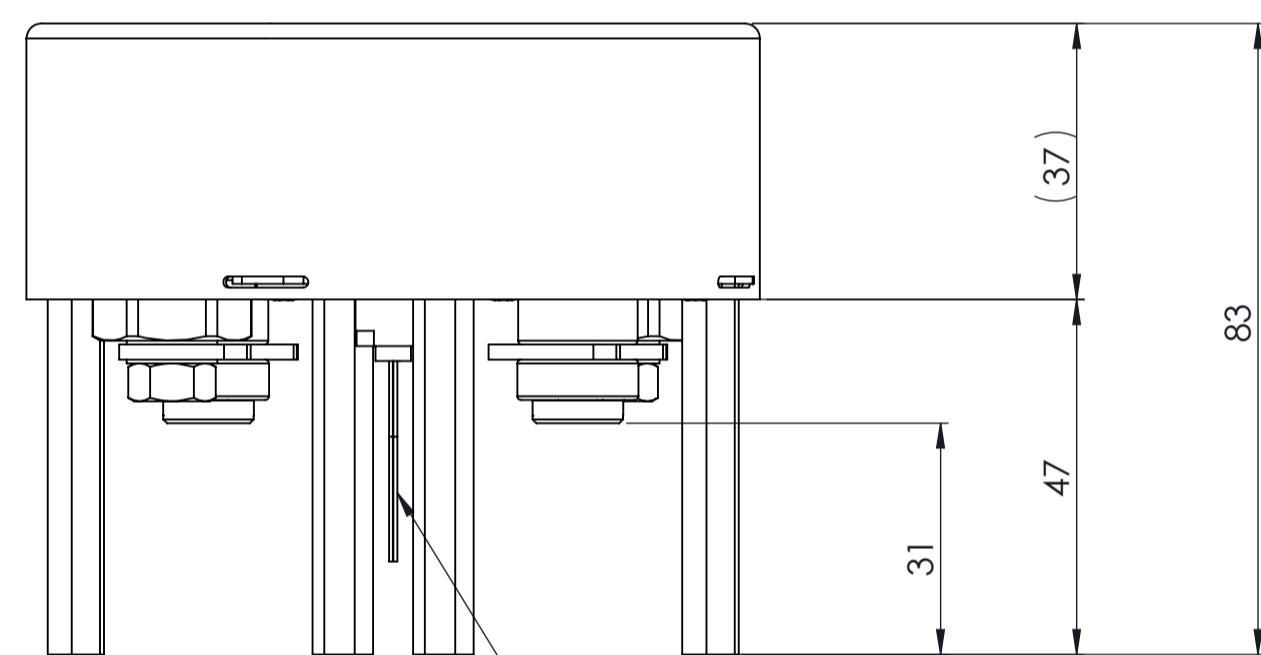
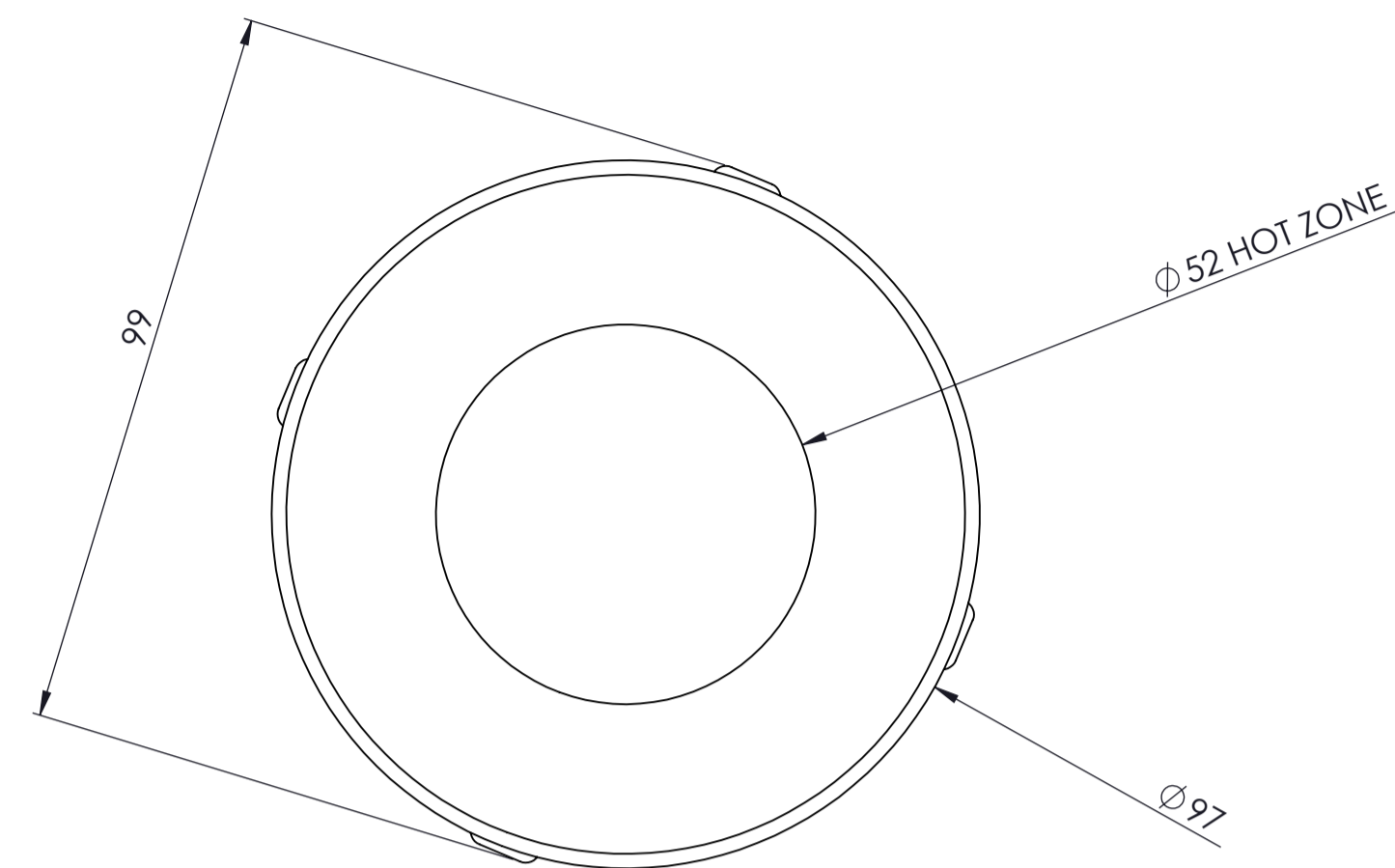
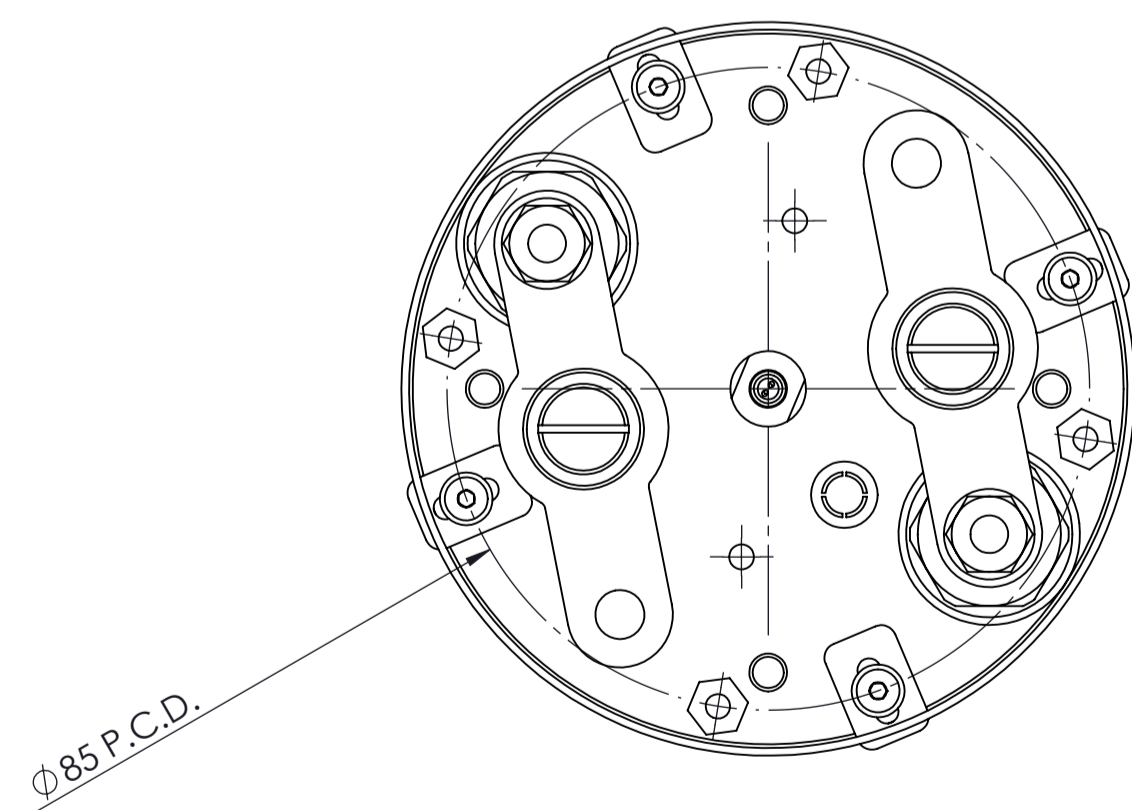


DO NOT SCALE DRG



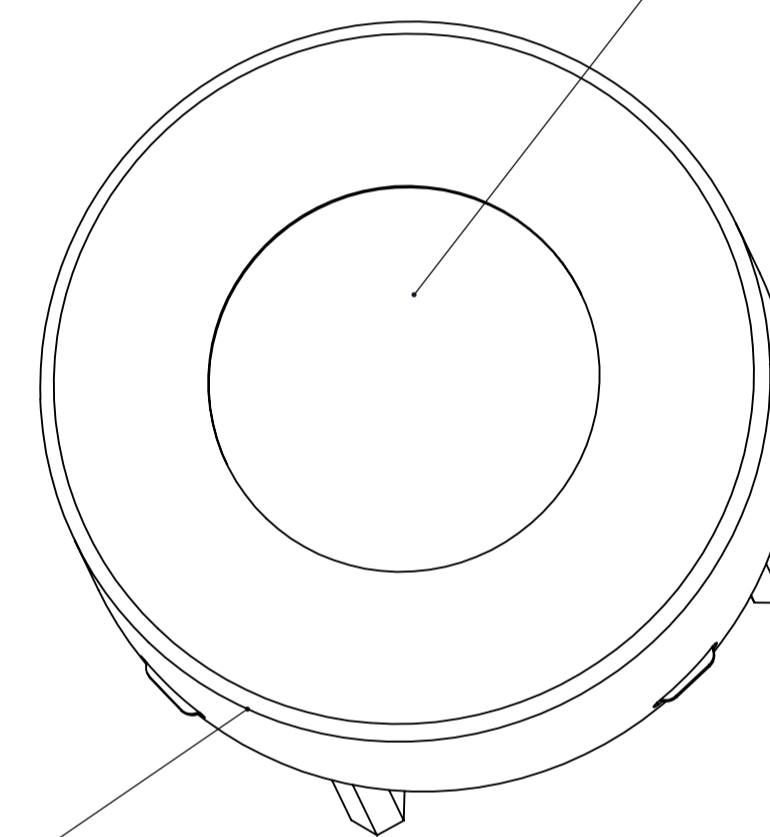
(4x) 7MM A-F HEX PILLARS WITH M4 INTERNAL THREADS

TYPE K THERMOCOUPLE MEASURES ELEMENT TEMPERATURE



Ø85 P.C.D.

ABN1000 TOP PLATE GIVES HIGH UNIFORMITY AND THERMAL CONDUCTIVITY



STAINLESS STEEL BODY

ISOMETRIC VIEW

## HEATER SPECIFICATION

### HEATER/STAGE DETAILS

<b>HEATER TYPE:</b>	VERSATILE
<b>TOP PLATE TEMPERATURE:</b>	1000°C MAX.
<b>ENVIRONMENT:</b>	HIGH VACUUM & INERT (NON-OXIDISING)
<b>ELEMENT:</b>	CARBON-CARBON COMPOSITE
<b>THERMOCOUPLE:</b>	K
<b>UNIFORMITY:</b>	± 2%
<b>SUBSTRATE:</b>	N/A
<b>LEAK RATE:</b>	N/A (CAN BE FLANGE OR STAGE MOUNTED ON REQUEST)

### ELECTRICAL

<b>HEATER COLD RESISTANCE:</b>	~ 2.0 Ω
<b>RAMP RATE:</b>	UP TO 600°C / min
<b>POWER REQUIREMENTS:</b>	APPROX. 0.6 kW TO ACHIEVE MAX. TEMPERATURE
<b>CABLE LENGTH &amp; INSULATION:</b>	0.5 MTR, FIBREGLASS INSULATED

### COOLING

<b>WATER COOLING:</b>	OPTIONAL EXTRA
<b>GAS COOLING:</b>	OPTIONAL EXTRA

### EXTRAS

<b>ROTATION SPEED:</b>	OPTIONAL EXTRA
<b>BIAS TYPE &amp; POWER:</b>	OPTIONAL EXTRA
<b>TRAVEL DISTANCE:</b>	OPTIONAL EXTRA
<b>ADDITIONAL EXTERNAL HEAT SHIELDING:</b>	OPTIONAL EXTRA

sales@thermic-edge.com  
Tel: +44 (0)1424 850811

30 Brunel Rd.  
St. Leonards-On-Sea  
EAST SUSSEX  
TN38 9RT  
UNITED KINGDOM



DEBURR ALL SHARP EDGES  
ALL SURFACES TO BE FREE FROM NICKS AND SCRATCHES

NO.	REVISION DESCRIPTION	BY
0		

**©THERMIC EDGE**

NOTE: THIS DRAWING CONTAINS PROPRIETARY INFORMATION WHICH MAY NOT BE DISCLOSED TO OTHERS NOR USED FOR MANUFACTURE WITHOUT WRITTEN PERMISSION FROM THERMIC EDGE.

TOLERANCES (EXCEPT AS NOTED):		ANGULAR: ± 30'			
DIM	UNDER 250mm	250-500mm	500-1500mm	ABOVE 1500	
X =	±0.5mm	±1.0mm	±1.5mm	±2.0mm	
X.X =	±0.2mm	±0.5mm	±0.75mm	±1.5mm	
X.XX =	±0.1mm	±0.2mm	±0.4mm	±0.75mm	

SCALE: 1:1	DRAWN: JK	CHECKED: -	PAGE 1 OF 1
A1	DATE: 16 Mar 20	DATE: -	
TITLE: 2" VH CCC Element			
DWG NO: VH-2-1000-CCC-HV			REVISION: 0